



WP137 Centrifugal 12V pump Universal Inline, Dual Outlet

In The Box:

- 1 Electric Pump WP137
- 1 Wiring harness w/ 20 amp fuse
- 2 5/16"-18 x 7/8 SHCS
- 2 5/16 AN Washers
- 1 Wiring harness w/20 amp fuse
- 2 Contingency decals

The inlet and outlet fittings must be ordered separately to match your hose connection type.



To Do the Job You Will Need:

- 1/4" hex socket or wrench
- Plumbing (rubber or braided hose and fittings)
- Electrical wiring kit (crimps and terminals)

Applications:

The Meziere Inline Electric Pump is designed to be spliced into the lower radiator hose of almost any vehicle. This eliminates the need to drive the stock water pump. It may also be used as a transfer pump, utility pump, or in a water to air inter-cooler system. Several kits are available for specific applications and many vehicles can be retrofitted with a minimum of modifications.

Mounting:

Two 5/16"-18 stainless socket head bolts are provided to mount the pump to a bracket or engine plate. Two 1/4" bolts can be used through the pump for blind tapped mounting. **WARNING: SEE PROPER MOUNTING ORIENTATION IN THE FIGURE AT THE RIGHT. DO NOT MOUNT THE PUMP INVERTED. THIS WILL VOID YOUR WARRANTY.**

Plumbing:

The inlet and outlets of these pumps are machined for -12AN O-ring seal, **NOT 3/4 NPT**. For fitting options see the part number list at the right.

Caution: **Never install a flared -12 end into the discharge side of this pump. It will interfere!** AN O-Ring Boss is the only style to be installed into the pump.

Wiring the Pump:

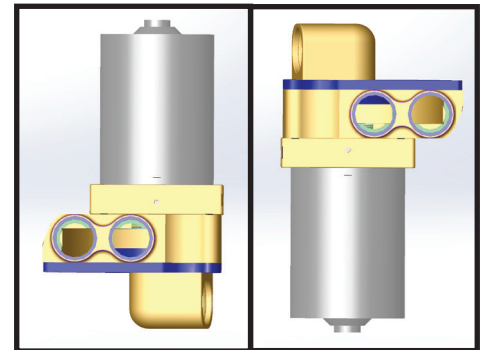
Use the fused harness supplied with the pump.

The **BLUE** wire should be connected to a 12 volt positive (+) switched source.

The **BLACK** wire should be connected to ground.

Supply and ground wires should be 14 gauge minimum. All switches should be rated at 20 amps or better.

WARNING: Not using a protection circuit (fused circuit) will void your warranty.



CORRECT

INCORRECT

Fitting Options:

<u>Hose Style / Size</u>	<u>Meziere Part #</u>
AN -08	WP12008
AN-10	WP12010
AN-12	WP12012
AN-16	WP12016
Hose 3/4"	WP12034
Hose 1"	WP12100
Hose 1-1/4"	WP12125
Hose 1-1/2"	WP12150
Hose 1-3/4"	WP12175

Startup / Running:

Fill the cooling system. Replace fill cap and turn on pump. Remove fill cap and top off coolant level. Recheck level after one heat cycle. **DO NOT RUN PUMP DRY for more than a few seconds.**

Beauty Tip:

Your pump comes to you polished and waxed. Occasional waxing will allow dirt or debris to be wiped right off the pump and offer some protection from UV light (the anodized color on your pump can fade from prolonged exposure to sunlight).

California Proposition 65 Warning: Please see below for Prop 65 information.

California Proposition 65 Warning

WARNING: This product contains chemicals known to the State of California to cause cancer and birth defects or other reproductive harm.

WARNING: Motor vehicles contain fuel, oils and fluids, battery posts, terminals and related accessories which contain lead and lead compounds and other chemicals known to the State of California to cause cancer, birth defects and other reproductive harm. These chemicals are found in vehicles, vehicle parts and accessories, both new and as replacements. When being serviced, these vehicles generate used oil, waste fluids, grease, fumes and particulates, all known to the State of California to cause cancer, birth defects, and reproductive harm.

For background on the new Proposition 65 warnings, see:

<https://www.p65warnings.ca.gov/new-proposition-65-warnings>

Proposition 65 and its regulations are posted at:

<https://oehha.ca.gov/proposition-65/law/proposition-65-law-and-regulations>

To give Meziere notice of an alleged violation of California Health and Safety Code Section 25249.5 or 25249.6, you must send notice to:

meziere@meziere.com